

# LCD DIGITAL PANEL METERS

MINI, low-cost Bezel Mount 3½ Digit LCD Display



## Features:

- Low-cost
- Window mount
- Ultra-thin space-saving design: only .36" deep
- Occupies less than 1.3 X .75 inches of front panel space
- 3½ digits with high-contrast LCD Display
- Choice of Positive or Negative Red or Green
- Low power

## Specifications:

<b>Display:</b>	
Digits:	3½ digits (±1999 counts)
Type:	7 segment backlit LCD
Polarity:	Automatic, "-" displayed
Decimal Points:	3 position, user selectable
Overload:	60 mADC forward, 75mADC reverse
<b>Inputs:</b>	
Ranges:	200mV, 2V, 20V, 200V 4 to 20 mADC (two wire self powered)
Impedance:	100 megohm (200mV) 1 megohm (2V)
<b>Performance:</b>	
Accuracy:	±(0.1% of F.S. +1 count)
Conversion Rate:	2.5 per second
Normal Mode Rejection:	>30 db @ 60hz
Common Mode Range:	±1Vdc max
Common Mode Rej.:	>86 db
Zero Adjustment:	Approximately 20% of selected span by 12-turn potentiometer
Span Adjustment:	Red backlight -100 to 1999 counts Green backlight -200 to 1999 counts Coarse by jumper plug, fine by 12-turn potentiometer
<b>Warmup:</b>	
Temperature Coeff.:	± 200 ppm per °C typical
<b>Environment:</b>	
Operating Range:	-30 to 80 °C
Storage Range:	-40 to 85 °C
<b>Power Supply:</b>	
5V powered DPM:	+5V DC
9V powered:	+9V DC
	±5V DC
<b>Mounting:</b>	
	Window Mount
<b>Connection:</b>	
	13 pin

## Ordering Information:

### Miniature LCD DPM Part Numbering

#### Snap-In Bezel Mount:

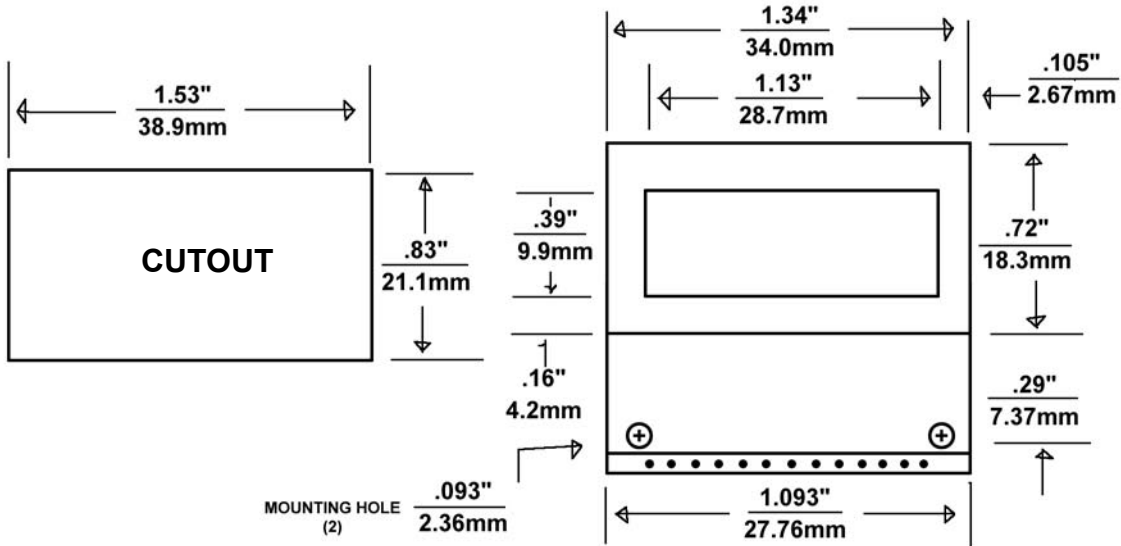
- DK720** 9V, ±5V, 200mV, POS GRN, 13-pins
- DK721** 9V, ±5V, 2 V, POS GRN, 13-pins
- DK722** 9V, ±5V, 200mV, NEG GRN, 13-pins
- DK723** 9V, ±5V, 2 V, NEG GRN, 13-pins
- DK724** 9V, ±5V, 200mV, NEG RED, 13-pins
- DK725** 9V, ±5V, 2 V, NEG RED, 13-pins
- DK726** 9V, ±5V, 200mV, POS RED, 13-pins
- DK727** 9V, ±5V, 2 V, POS RED, 13-pins
- DK730** 5V, 200mV, POS GRN, 13-pins
- DK731** 5V, 2 V, POS GRN, 13-pins
- DK732** 5V, 200mV, NEG GRN, 13-pins
- DK733** 5V, 2 V, NEG GRN, 13-pins
- DK734** 5V, 200mV, NEG RED, 13-pins
- DK735** 5V, 2 V, NEG RED, 13-pins
- DK736** 5V, 200mV, POS RED, 13-pins
- DK737** 5V, 2 V, POS RED, 13-pins

**PW2-5**.....Regulated 120V AC to 5V DC Adaptor .....



C-TON Industries • PO Box 10129 • Bedford, NH, 03110 • USA

# Dimensions



## CONNECTION DESCRIPTIONS

PIN#	DESCRIPTION	DESCRIPTION
1	DP COM	CONNECT TO SELECTED DECIMAL POINT
2	DP1	DP XXX.X
3	DP2	DP XX.XX
4	DP COM	CONNECTED TO SELECTED DECIMAL POINT
5	DP3	DP X.XXX
6	IN HI	INPUT SIGNAL HI
7	IN LO	INPUT SIGNAL LO
8	V+	+5 VOLT POWER
9	BL	CONNECT TO V- FOR BACKLIGHTING
10	V-	-5 VOLT POWER
11	AG	CONNECT TO IN LO FOR 9V ISOLATED OPERATION
12	N.C.	} NO CONNECTION
13	N.C.	

